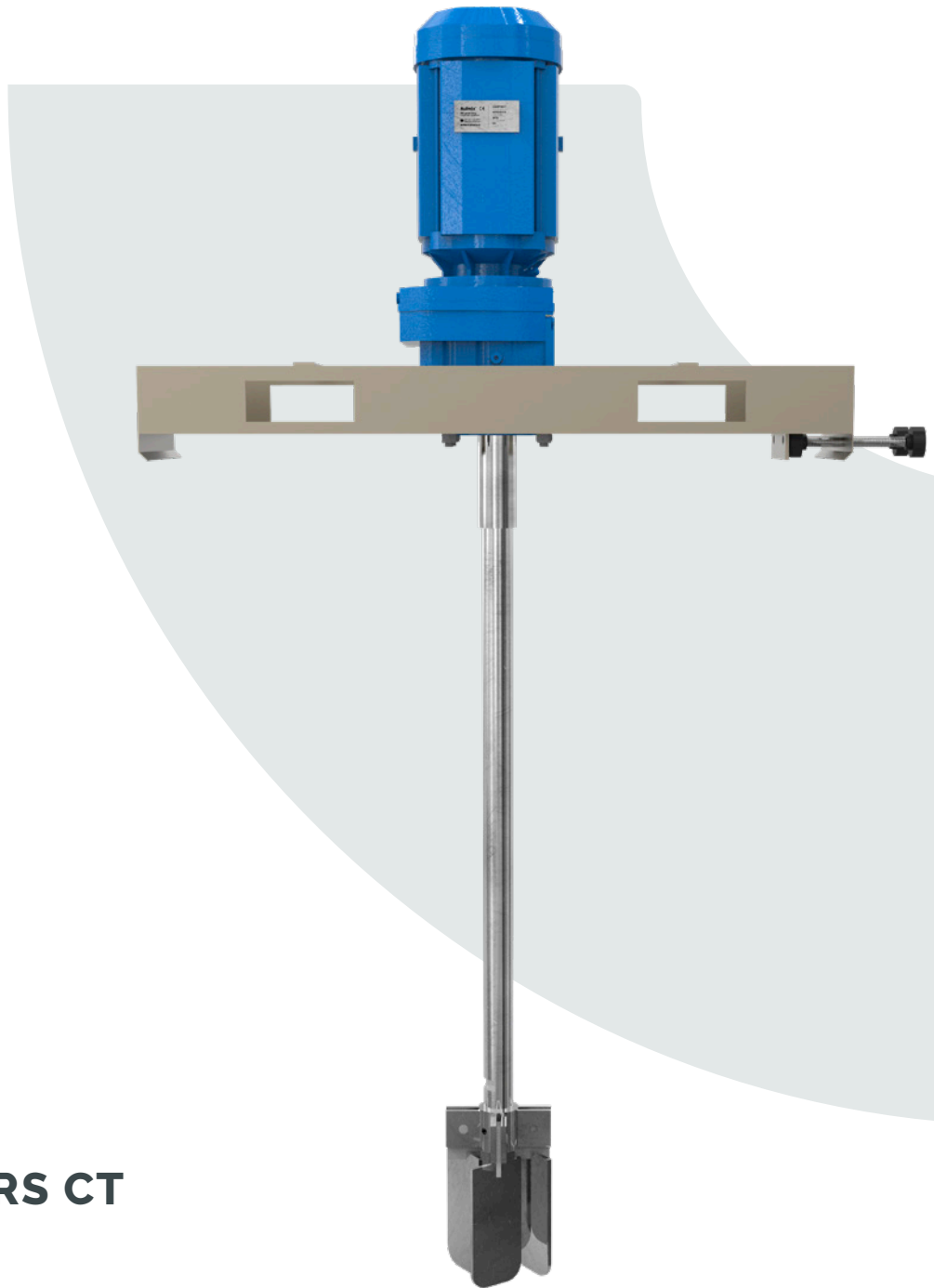


Autmix®




COMPACT MIXERS CT
IBC MOUNTING

CT(I)

COMPACT MIXERS CT

IBC MOUNTING CT(I)

MOTOR

- P** 0.75 to 5.5 kW **φ** Three-phase
- V** 230 - 460 V  IEC: IE3
NEMA: High Premium

GEAR UNIT

- Coaxial

MANUFACTURING MATERIALS

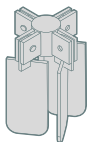
- Carbon steel
- AISI 304
- AISI 316
- Super duplex
- Duplex
- Titanium

OUTPUT SPEED
100 - 300 RPM

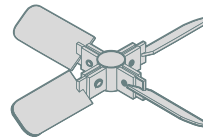


IMPELLER DIAMETER
150 - 400 mm

COMPATIBLE IMPELLERS



AXIAL TURBINE
INACTIVE VIEW

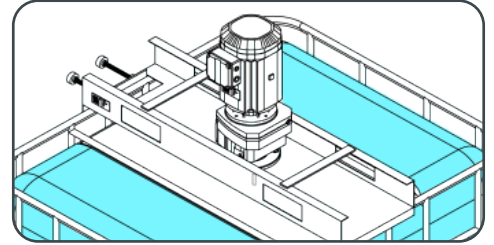


AXIAL TURBINE
ACTIVE VIEW

RELATED INDUSTRIES



MOUNTING OPTIONS



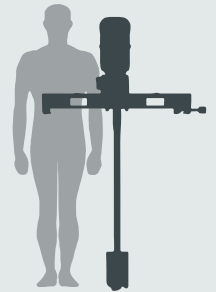
Special support for IBC / GRG1 reactors

SHAFT-HEAD COUPLING

- Solid Shaft - Coupling

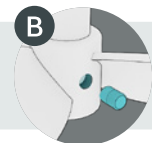
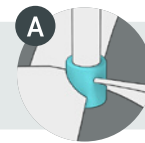
SHAFT LENGTH

1 500
1 000
500
250
mm



SHAFT-IMPELLER COUPLING

- A) Sleeve welded to the shaft
- B) Oppressors



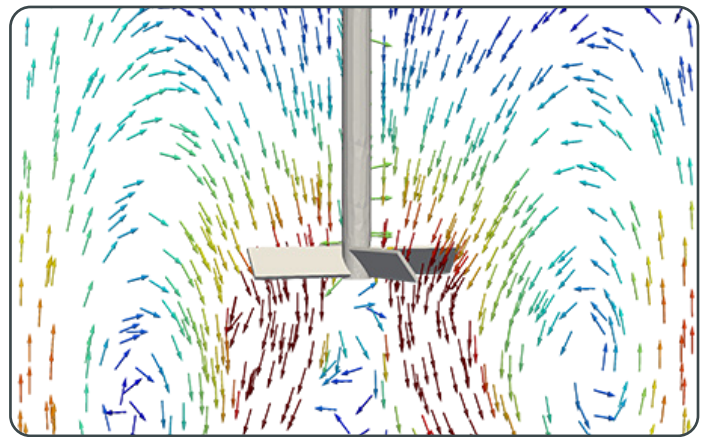
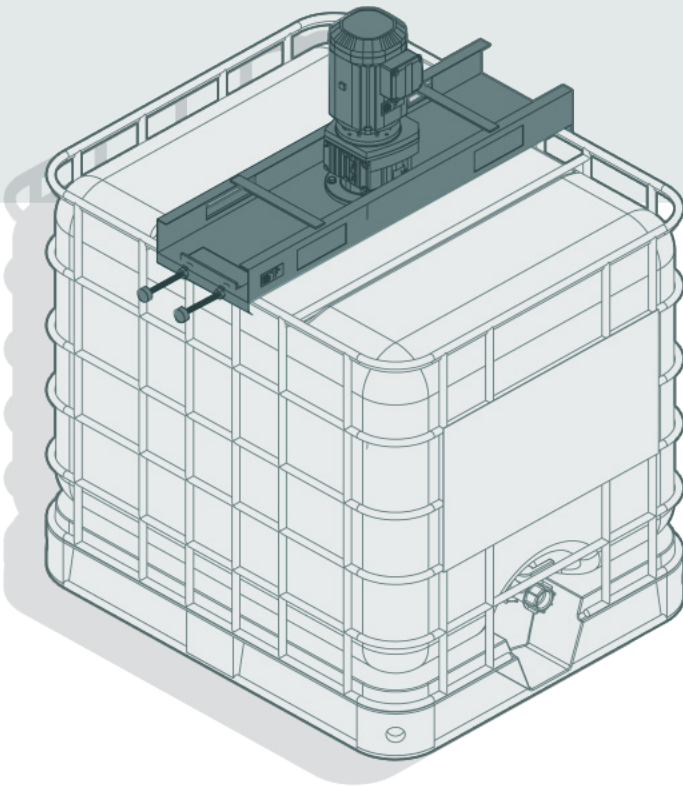
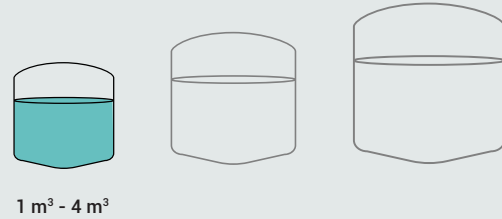
COMPACT MIXERS CT IBC MOUNTING CT(I)

REACTOR PRESENTATION

FINISHES AND COATINGS

- PTFE
- PVDF
- EPDM
- Halar
- Butyl rubber
- Natural rubber
- Ebonite
- Neoprene
- Fiberglass
- Sanitary polishing

REACTOR VOLUME



FLOW LINES | AXIAL TURBINE REPRESENTATION

OPTIONAL FEATURES

- ATEX protection
- Stainless steel housing
- Food grade oil
- Food grade epoxy paint



NEED HELP?

autmix.com
Sales | sales@autmix.com
Support | support@autmix.com

INTERNATIONAL COVERAGE
24 / 7 SUPPORT



MEXICO

+52 442 224 5621

UNITED STATES

+1 972 955 0168

SPAIN

+34 914 37 2618